



APPROVAL SPECIFICATIONS

DC POWER JACK

DC 470-2.0

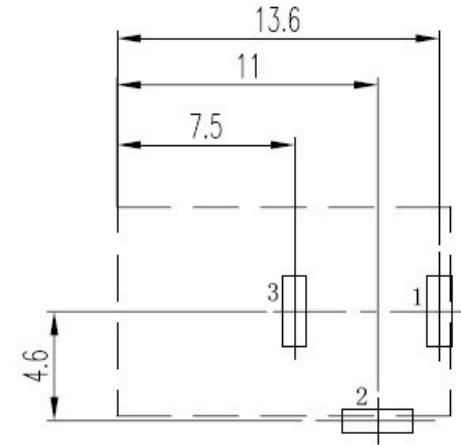
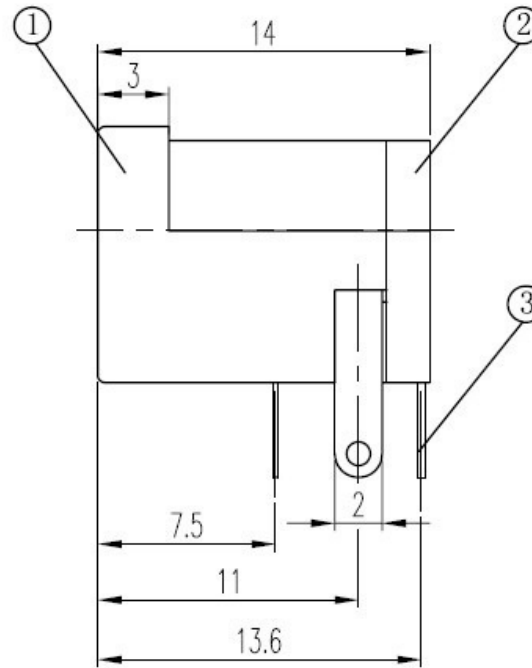
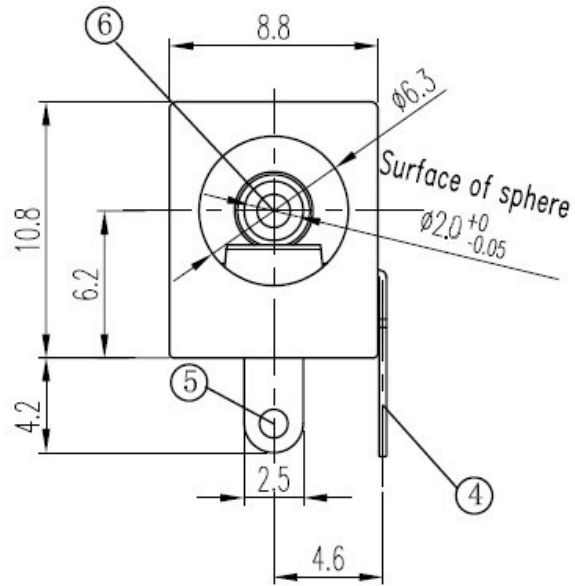
Voltage: 12V

Current: 1A

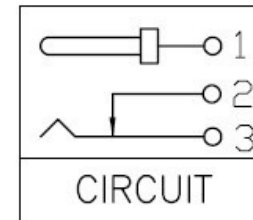
Contact resistance: 30m Ω

Insulation resistance : 100M Ω

Surface of sphere : 2,0



PCB LAYOUT
TOP-SIDE VIEW



CIRCUIT